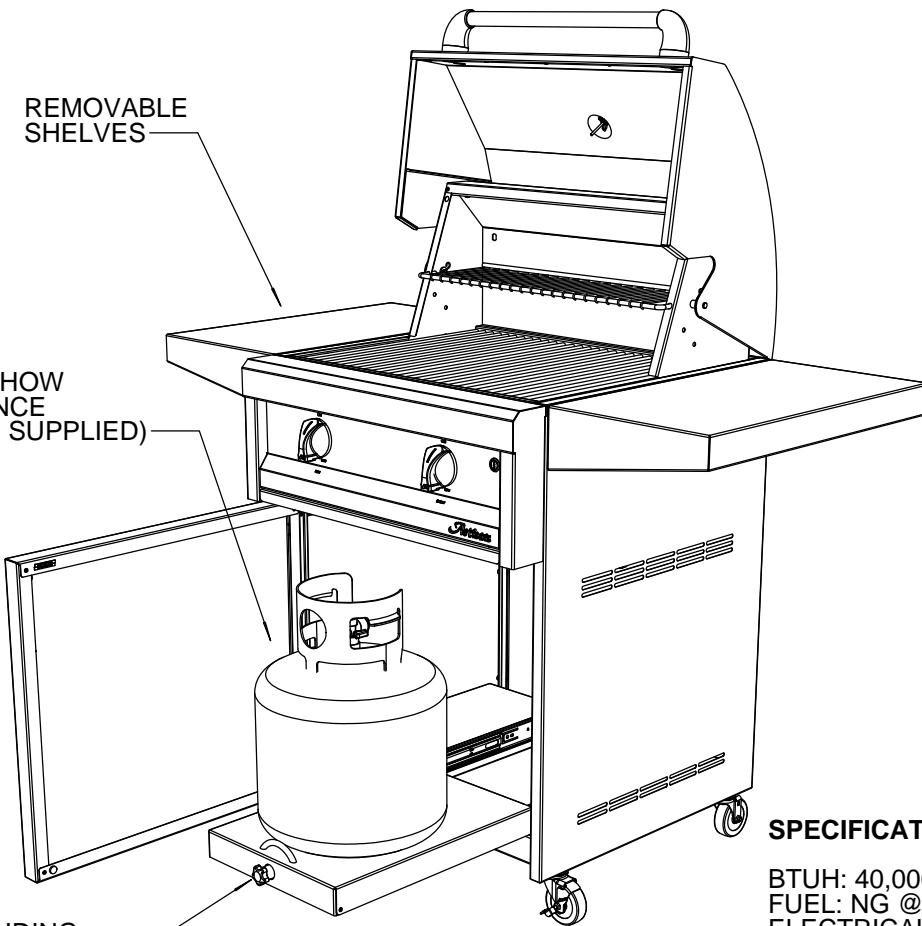


REMOVABLE
SHELVES

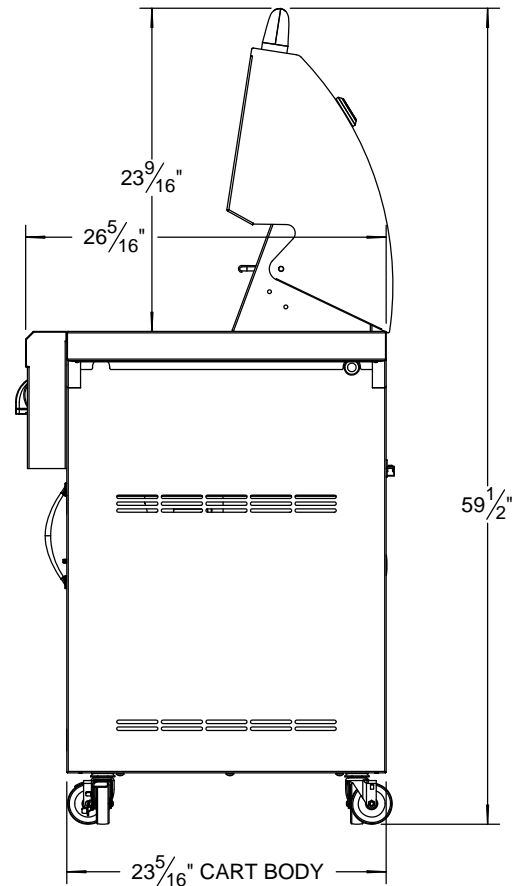
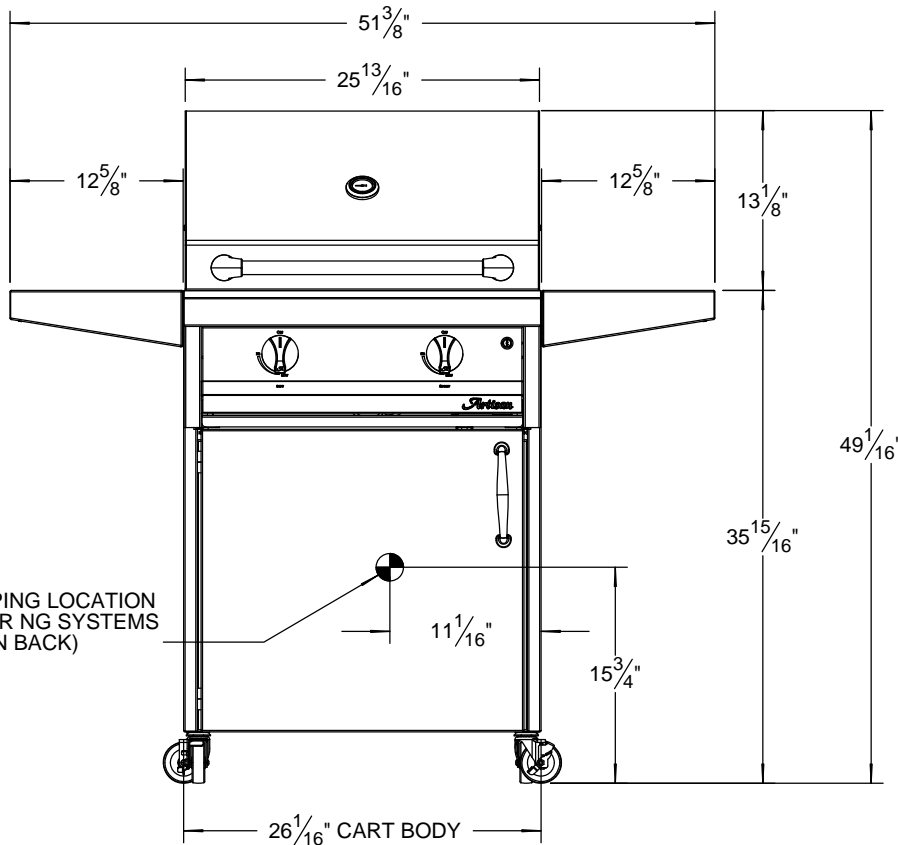
GAS TANK SHOW
AS REFERENCE
(CUSTOMER SUPPLIED)



GAS TANK SLIDING
SHELF INCLUDED

SPECIFICATIONS:

BTUH: 40,000
 FUEL: NG @ 5 W.C. OR LP @ 10 W.C.
 ELECTRICAL POWER: 9 VDC IGNITION SYSTEM
 GAS CONNECTION: 1/2" NPT (NG) OR 3/8" ODF (LP)



Artisan

THE INFORMATION CONTAINED IN THIS DRAWING IS THE SOLE PROPERTY OF SUPERIOR EQUIPMENT SOLUTIONS INC. ANY REPRODUCTION IN PART OR AS A WHOLE WITHOUT WRITTEN PERMISSION FROM SUPERIOR EQUIPMENT SOLUTIONS, INC. IS PROHIBITED.

PROJECT TITLE:
ARTISAN GRILLS

DRAWING NO.:
AAEP-26C SPEC SHEET

DRAWN BY: JORGE PELAYO
CREATED: Wednesday, March 09, 2016

DRAWING TITLE: